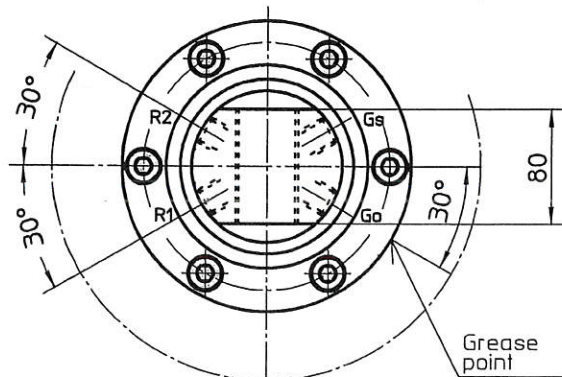
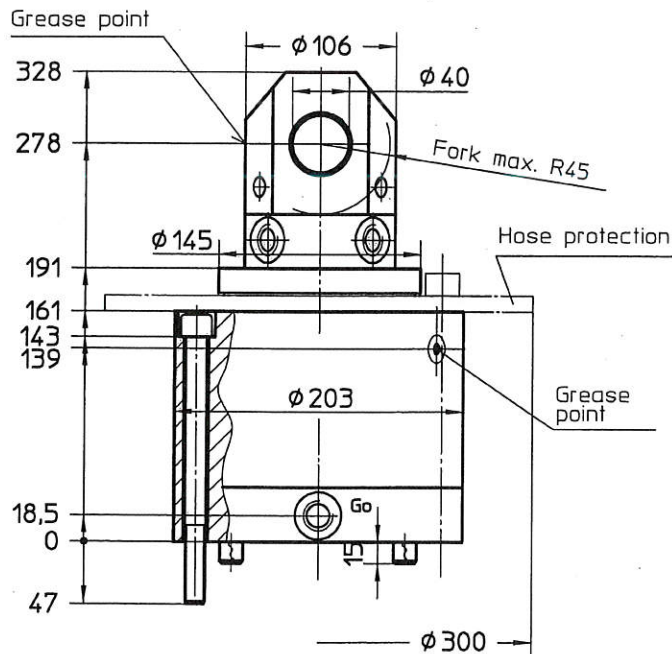
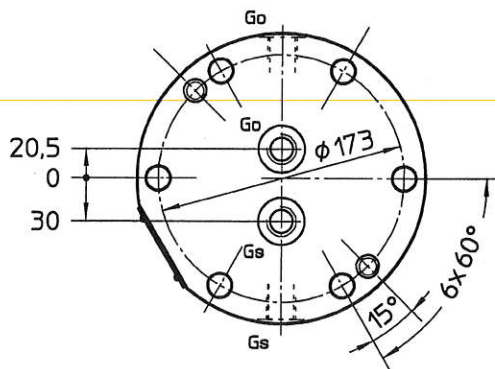


Rotator type 512H is the successor of rotator type 511H that has been successful in a thousand ways. The torque has been made 25% higher with dimensions being the same. Brake actions has been improved considerably. Its largely dimensioned bedding allows heavy loads to be handled quite easily.

- safe connection by long fastening screws
- high admissible axial forces
- wide passage for oil
- high torque
- long life
- low structure



Variant of design:

with 6 fasting screws M16 DIN 912
 hole circle ϕ 173 to Thumm shop standard

Machine:

e.g. hydraulic excavators, loading cranes
 jerk pullers, forestry machines

Add-on units:

logging tongs, loading grabs,
 clamshell buckets, processors
 Sorting units (please ask manufacturer)

Technical details:

max. thrust load	= 120KN
max. radial load	by request
Pmax. grab	= 350bar
Pmax. rotating engine	= 250bar
Torque/100bar	= 1000Nm
Absorption volume	= 700cm ³ /R
min. oil passage Gs/Go	= NW10
Mass	= 52kg
max. rotations	= 30rpm




Accessories:

forks for suspension
 (please refer to separate dimensioned sheets)

Volume of delivery:

1x hose protection with screws
 2x Connex pin SG 16x30
 1 set cap screws M16x190-10.9 DIN 912
 with nuts DIN 6331-10

Connections:

R1,R2: turn rotator		G 1/2"
Go: open grab		G 1/2"
Gs: close grab		G 1/2"

Edition 102 Gm.

Paint: black primary coat
 Reserve made to modifications
 All rights reserved