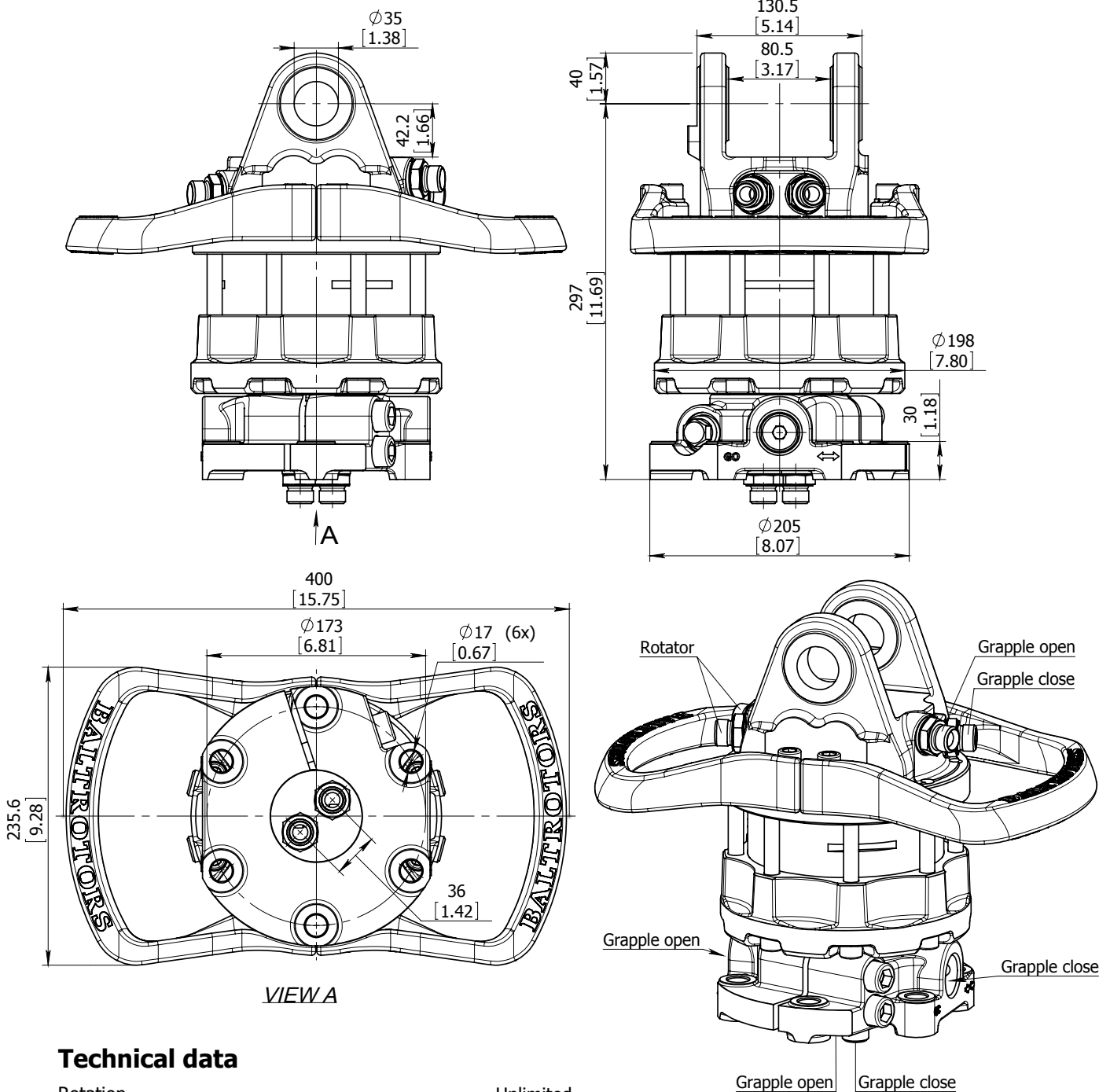


ROTATOR GR603-2DB



Technical data

Rotation	Unlimited
Max axial load static, KN (lbf)	+60 (13491)
	-50 (11242)
Max axial load dynamic, KN (lbf)	+30 (6745)
	-25 (5621)
Torque at 25Mpa (3625psi), Nm (lb ft)	1800 (1328)
Rec oilflow, l/min (US gallon)	25 (6.6)
Weight, kg (lb)	46 (101)

Max working pressure:

Rotator	←R→	Max 25 MPa (3625 psi)	G 1/2"
Grapple / Tool open	←G→	Max 20 MPa (2900 psi)	G 1/2"
Grapple / Tool close	→G←	Max 30 MPa (4350 psi)	G 1/2"

Connection: